

Kappa 8.1

Kappa Series 4-Way Speaker

SPECIFICATIONS

ACOUSTIC & ELECTRICAL SPECIFICATIONS:

- Nominal Impedance: 6 ohms
- Power Rating: 40 to 300 watts RMS
- Crossover Frequencies: 180Hz, 700Hz, 4.7kHz
- Frequency Response: 32Hz-35kHz +/-2dB
- Sensitivity: 89dB 2.8V/1 meter

PRODUCTION HISTORY

- Introduced in 1992
- Discontinued 1996
- Original Retail Price: \$2,200.00/pair

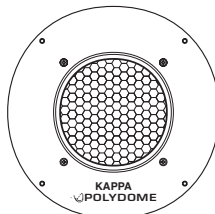
PHYSICAL SPECIFICATIONS:

- 1x - EMIT-R™ Tweeter
- 1x - 3" (7.6cm) Polydome Midrange
- 1x - 6-1/2" (cm) Mid-Bass Coupler
- 1x - 12" (30.5cm) IMG™ Woofer
- Dimensions: 48-1/4"H x 16-1/2"W" x 11-15/16"D (with grille)
122.6cm(H) x 41.9cm(W) x 30.3cm(D)
- Cabinet Not Sold
- Grille #026-5764
- Crossover #A015-674
- Logo #716-6348
- Feet #846-2290
- Binding Post (set) #528-5925

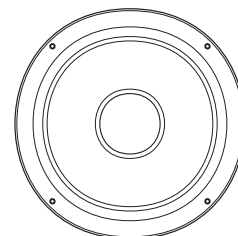
TECHNICAL INFORMATION



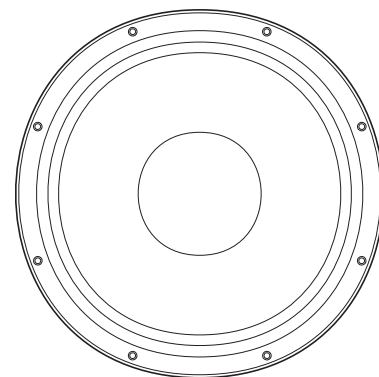
TWEETER #902-5754
DIAPHRAGM #751-6022



3" MIDRANGE
#902-5793
DIAPHRAGM
#751-7130



6 1/2" MID-BASS
#902-5239



12" WOOFER #902-6236

SEE SCHEMATIC DIAGRAM ON SECOND PAGE

Kappa 8.1 Kappa Series 4-Way Speaker

SCHEMATIC DIAGRAM

